

# PVCu Door & Window Furniture



---

Security Door Handles 298-299



---

To Suit Multipoint Locks -  
92mm Centres 300-305



---

Designer Door Handle Range 306-310



---

HOPPE PVCu Door Furniture 311-312



---

HOPPE PVCu Window Furniture 313-318



The Door and Window Division of HOPPE (UK) Ltd markets three basic HOPPE products. Lever handles for multipoint locking systems, espagnolette and Tilt & Turn handles for windows.

In this Architectural Division catalogue, only the most common lines are featured. For a complete listing, please refer to the UK Catalogue for the Door and Window Division.

Security on residential doors is of paramount importance due to the ever increasing number of opportunistic burglaries in the UK today. To combat this, HOPPE (UK) Ltd have launched a new range of security door handles specifically aimed at delaying the initial attack upon a residential doorset. PAS 24-1; 1999 - (Product Assessment Specification) is a recognised way of testing doorsets to ensure they perform when subjected to attack.



### PAS 24-1:1999 - Product Assessment Specification

Enhanced security performance for door set assemblies.

PAS 24 is recognised by Secure By Design as a method of testing a door set assembly to an enhanced level of security. Tests are carried out on a complete door set in its frame with identified points of attack within the specification. They include hinge points, locking points, panels and hardware. In order to attain PAS 24 accreditation for a particular product fitted to a door set, forced entry must be resisted for a specified time period.

Security professionals highlight the cylinder as a vulnerable part of a doorset, including the surrounding hardware that operates a motorised or multipoint locking mechanism. Under section A.11 of PAS 24, along with controlled mechanical loadings, there is provision to attack the cylinder and surrounding hardware using a set of specified tools in an attempt to gain entry through the door.

#### **Section A.11 Specified Tools include:**

- Screwdriver(s)
- Stanley or craft knife(s)
- Brick bolster or heavy chisel(s)
- Length of steel wire
- Mole grips
- Torque bar with 180 Newton meters setting

The test consists of a three minute attack plus seven minutes rest/thinking time. Any combination of the tools can be used to gain access to a lock's inner mechanism through the surrounding hardware and cylinder. A common method used to expose cylinders is to remove the back plate or rosette of the handle set with no other protection, enabling access to a building to be gained within seconds.

Most traditional cast and pressed backplates are lightweight and hollow making them easily removable from a door, giving access to the vulnerable cylinder. The new security handle set from HOPPE is different. The backplates are manufactured like no other. The fact they are fully machined from a solid base material combined with hardened steel lugs and security fixings, gives a much stronger construction than the traditional cast and pressed products. When tested to PAS 24-1 section A.11 the new handles surpassed the standard and achieved consistently excellent results.

**Please note:** PAS 24 certification can only be carried out on a complete door set by and accredited testing agency.

Products with the  logo have the PAS 24 security options available.



# PVCu Door & Window Furniture

# PVCu Door & Window Furniture

## Security Door Handles



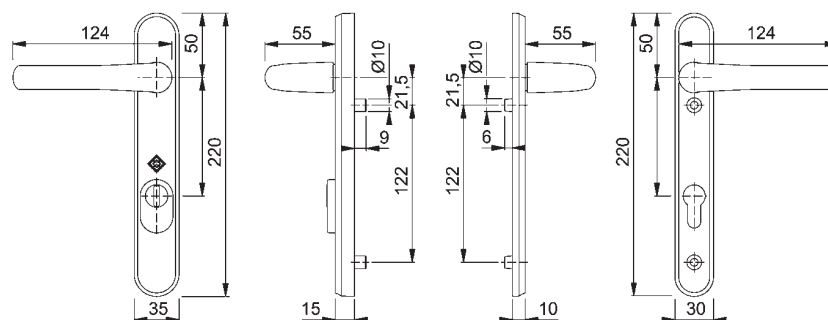
### Tokyo 1710RH/3369N-ZA/3360N - Lever/Lever Set PAS 24+

#### Lever furniture set to suit multipoint locks with 92mm cylinder centres

- The unsprung levers are fixed to the backplate and by design are fully reversible
- Fixing lugs are supplied on both backplates for a secure fit
- M6 hardened steel screws for added strength
- Solid external backplate with protective cylinder cover
- Third party independently tested and satisfies the requirements of PAS 24 clause A.11
- Holds a Secured By Design Licence



ID NO	DESCRIPTION	FINISH
2669939	Lever furniture set	<b>Silver/F1</b>
2671609	Lever furniture set	<b>Gold/F3</b>
2671617	Lever furniture set	<b>White/F9016</b>
2671625	Lever furniture set	<b>Black/F9714</b>



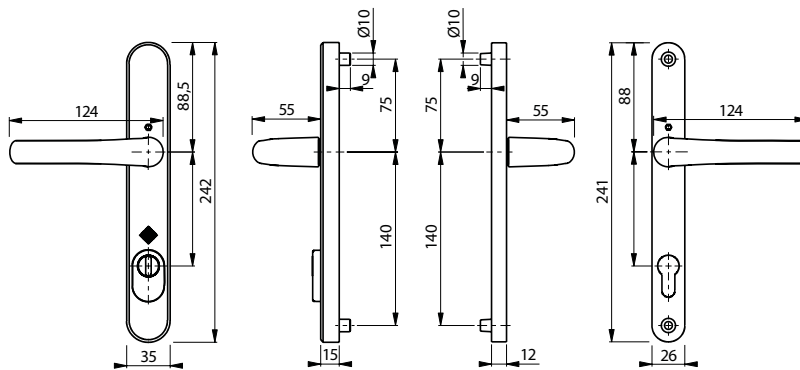
## Security Door Handles

### Tokyo 1710RH/3239N-ZA/3623N - Lever/Lever Set PAS 24+

#### Lever furniture set to suit multipoint locks with 92mm cylinder centres

- The sprung levers are fixed to the backplate and by design are fully reversible
- Fixing lugs are supplied on both backplates for a secure fit
- M6 hardened steel screws for added strength
- Solid external backplate with protective cylinder cover
- Third party independently tested and satisfies the requirements of PAS 24 clause A.11
- Holds a Secured By Design Licence

ID NO	DESCRIPTION	FINISH
2671668	Lever furniture set	<b>Silver/F1</b>
2671676	Lever furniture set	<b>Gold/F3</b>
2671684	Lever furniture set	<b>White/F9016</b>
2671692	Lever furniture set	<b>Black/F9714</b>



# PVCu Door & Window Furniture

## To Suit Multipoint Locks - 92mm Centres

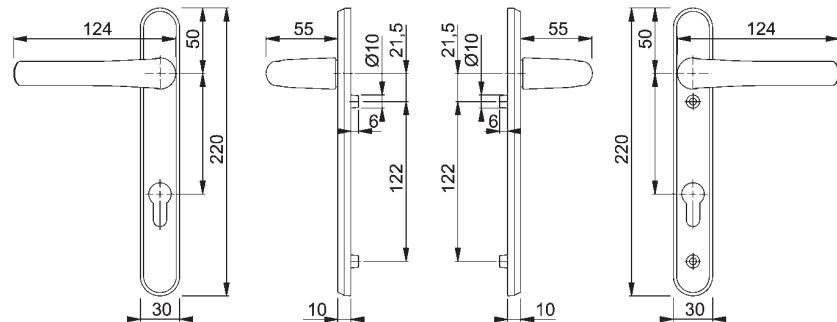


### Tokyo 1710RH/3360N - Lever/Lever Set

#### Lever furniture set to suit multipoint locks with 92mm cylinder centres

- HOPPE aluminium lever set on backplate for exterior doors, Tokyo series. To suit multipoint locks with 92mm cylinder centres. The unsprung levers are fixed to the backplate and by design are fully reversible. Fixing lugs are supplied on both backplates for a secure fit. Aluminium lever and backplate.

ID NO	DESCRIPTION	FINISH
2340295	Lever furniture set	<b>Silver/F1</b>
2340316	Lever furniture set	<b>Gold/F3</b>
2340359	Lever furniture set	<b>White/F9016</b>
2340332	Lever furniture set	<b>Black/F9714</b>



## To Suit Multipoint Locks - 92mm Centres

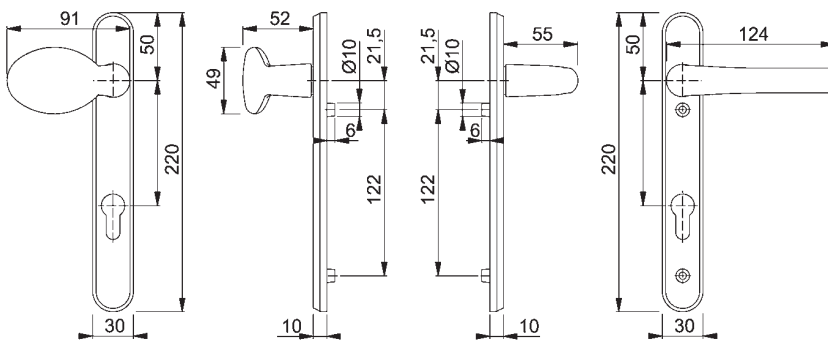
### Tokyo 76G/3360N/1710RH - Lever/Pad Set

#### Moveable pad furniture set to suit multipoint locks with 92mm cylinder centres

- HOPPE aluminium lever / moveable pad set on backplate for exterior doors, Tokyo series. To suit multipoint locks with 92mm cylinder centres. The unsprung lever and pad handle are fixed to the backplate and by design are fully reversible. Fixing lugs are supplied on both backplates for a secure fit. Aluminium lever, pad and backplate.



ID NO	DESCRIPTION	FINISH
2340367	Lever/pad furniture set	<b>Silver/F1</b>
2340375	Lever/pad furniture set	<b>Gold/F3</b>
2340404	Lever/pad furniture set	<b>White/F9016</b>
2340391	Lever/pad furniture set	<b>Black/F9714</b>



# PVCu Door & Window Furniture

## To Suit Multipoint Locks - 92mm Centres

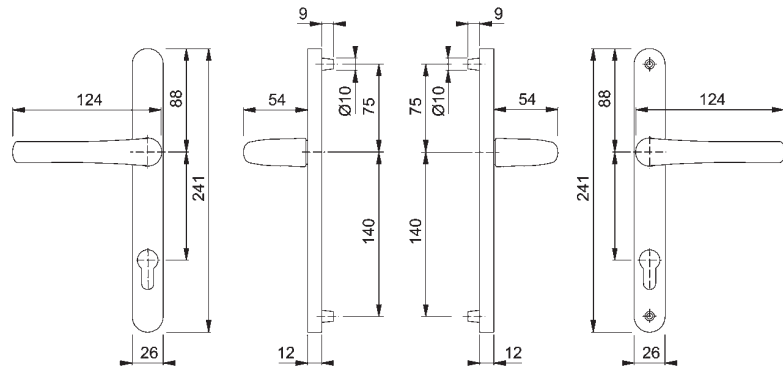


### Tokyo 1710RH/3623N - Lever/Lever Set

#### Lever furniture set to suit multipoint locks with 92mm cylinder centres (Paddock)

- HOPPE aluminium lever set on backplate for exterior doors, Tokyo series. To suit paddock multipoint locks with 92mm cylinder centres. The sprung levers are fixed to the backplate and by design are fully reversible. Fixing lugs are supplied on both backplates for a secure fit. Aluminium lever and backplate.

ID NO	DESCRIPTION	FINISH
1852045	Lever furniture set	<b>Silver/F1</b>
1852061	Lever furniture set	<b>Gold/F3</b>
1852070	Lever furniture set	<b>White/F9016</b>
1852096	Lever furniture set	<b>Black/F9714</b>



## To Suit Multipoint Locks - 92mm Centres

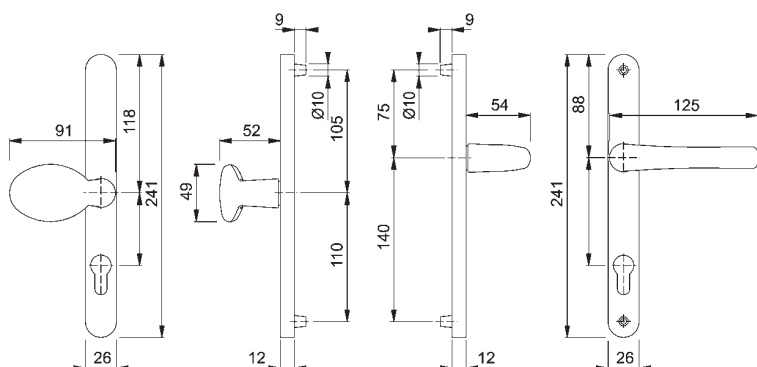
### Tokyo 76G/3623N/1710RH - Lever/Pad Set

#### Moveable pad furniture set to suit multipoint locks with 92mm / 62mm cylinder centres (Paddock)

- HOPPE aluminium lever / moveable pad set on backplate for exterior doors, Tokyo series. To suit Paddock multipoint locks with 92mm / 62mm cylinder centres. The sprung lever and pad handle are fixed to the backplate and by design are fully reversible. Fixing lugs are supplied on both backplates for a secure fit. Aluminium lever, pad and backplate.



ID NO	DESCRIPTION	FINISH
1852117	Lever/pad furniture set	<b>Silver/F1</b>
1852125	Lever/pad furniture set	<b>Gold/F3</b>
1852133	Lever/pad furniture set	<b>White/F9016</b>
1852141	Lever/pad furniture set	<b>Black/F9714</b>



# PVCu Door & Window Furniture

## To Suit Multipoint Locks - 92mm Centres

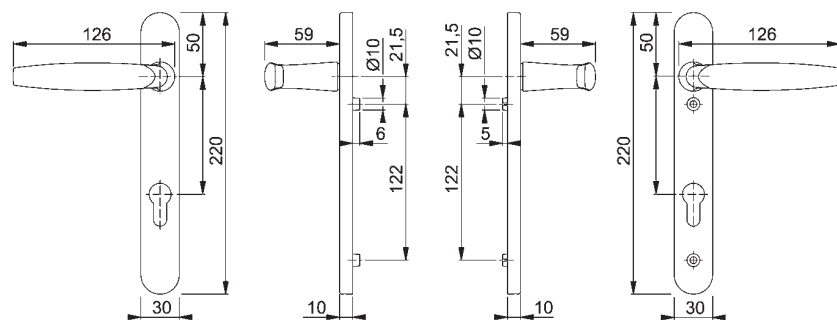


### Atlanta 1530/3337 - Lever/Lever Set

#### Lever furniture set to suit multipoint locks with 92mm cylinder centres

- HOPPE aluminium lever set on backplate for exterior doors, Atlanta series. To suit multipoint locks with 92mm cylinder centres. The unsprung levers are fixed to the backplate and by design are fully reversible. Fixing lugs are supplied on both backplates for a secure fit. Aluminium levers with stainless steel underconstruction and aluminium coverplate.

ID NO	DESCRIPTION	FINISH
2310838	Lever furniture set	<b>Silver/F1</b>
2310918	Lever furniture set	<b>Gold/F3</b>
2310951	Lever furniture set	<b>White/F9016</b>
2315786	Lever furniture set	<b>Black/F9714</b>



## To Suit Multipoint Locks - 92mm Centres

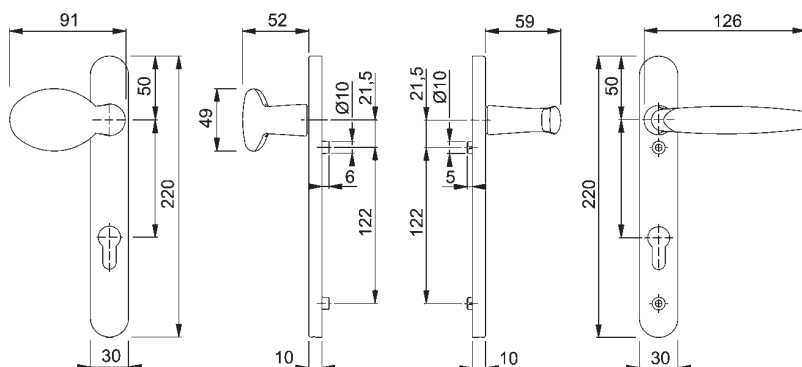
### Atlanta 76G/3337/1530 - Lever/Pad Set

#### Moveable pad furniture set to suit multipoint locks with 92mm cylinder centres

- HOPPE aluminium lever / moveable pad set on backplate for exterior doors, Atlanta series. To suit multipoint locks with 92mm cylinder centres. The unsprung lever and pad handle are fixed to the backplate and by design are fully reversible. Fixing lugs are supplied on both backplates for a secure fit. Aluminium lever and pad with stainless steel underconstruction and aluminium coverplate.



ID NO	DESCRIPTION	FINISH
2310977	Lever/pad furniture set	<b>Silver/F1</b>
2311005	Lever/pad furniture set	<b>Gold/F3</b>
2311048	Lever/pad furniture set	<b>White/F9016</b>
2315794	Lever/pad furniture set	<b>Black/F9714</b>



# PVCu Door & Window Furniture

## Designer Door Handle Range



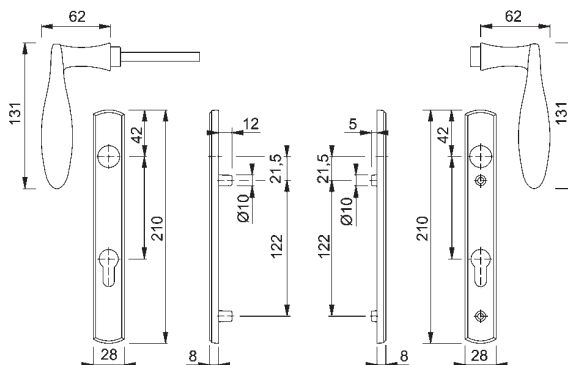
**\*available in  
Resista®  
10 years' surface  
guarantee**

### Rodos M1603/200LM - Lever/Lever Set

#### Lever furniture set to suit multipoint locks with 92mm cylinder centres

- HOPPE brass lever set on backplate for exterior doors, Rodos series. To suit multipoint locks with 92mm cylinder centres. Supplied separately, the levers are non handed for ease of stockholding and can be fixed to the door with the grub screws as supplied.

ID NO	DESCRIPTION	FINISH
2155348	Lever Set Only	<b>Brass -coloured polished - Resista/F77-R *</b>
1957023	Lever Set Only	<b>Polished Chrome/F49 *</b>
2155188	Backplate Set Only	<b>Brass -coloured polished - Resista/F77-R *</b>
1957779	Backplate Set Only	<b>Polished Chrome/F49 *</b>



## Designer Door Handle Range

### Phoenix M1640/200LM - Lever/Lever Set

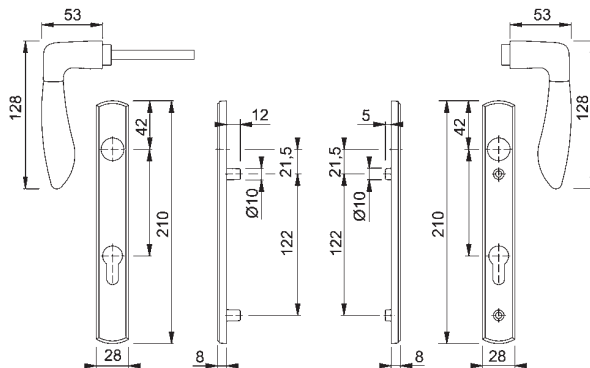
#### Lever furniture set to suit multipoint locks with 92mm cylinder centres

- HOPPE brass lever set on backplate for exterior doors, Phoenix series. To suit multipoint locks with 92mm cylinder centres. Supplied separately, the levers are non handed for ease of stockholding and can be fixed to the door with the grub screws as supplied.



*\*available in  
**Resista**<sup>®</sup>  
10 years' surface  
guarantee*

ID NO	DESCRIPTION	FINISH
2155541	Lever Set Only	<b>Brass-coloured, polished Resista/ polished chrome/ F77-R/F49 *</b>
2451331	Lever Set Only	<b>Brass-coloured, polished/ satin - Resista/F77-R/F52-R *</b>
1957470	Lever Set Only	<b>Polished chrome/matt chrome/F49/F98</b>
2155188	Backplate Set Only	<b>Brass -coloured polished - Resista/F77-R *</b>
1957779	Backplate Set Only	<b>Polished Chrome/F49 *</b>



# PVCu Door & Window Furniture

## Designer Door Handle Range



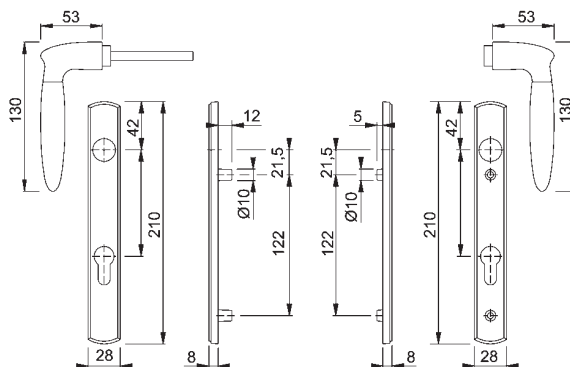
**\*available in  
Resista®  
10 years' surface  
guarantee**

### Athinaï M156/200LM - Lever/Lever Set

#### Lever furniture set to suit multipoint locks with 92mm cylinder centres

- HOPPE brass lever set on backplate for exterior doors, Athinaï series. To suit multipoint locks with 92mm cylinder centres. Supplied separately, the levers are non handed for ease of stockholding and can be fixed to the door with the grub screws as supplied.

ID NO	DESCRIPTION	FINISH
2155225	Lever Set Only	<b>Brass-coloured, polished Resista/ polished chrome/ F77-R/F49 *</b>
1956590	Lever Set Only	<b>Polished chrome/stainless steel brushed/F49/F69</b>
2155188	Backplate Set Only	<b>Brass -coloured polished - Resista/F77-R *</b>
1957779	Backplate Set Only	<b>Polished Chrome/F49 *</b>



## Designer Door Handle Range

### Bergen M1602/200LM - Lever/Lever Set

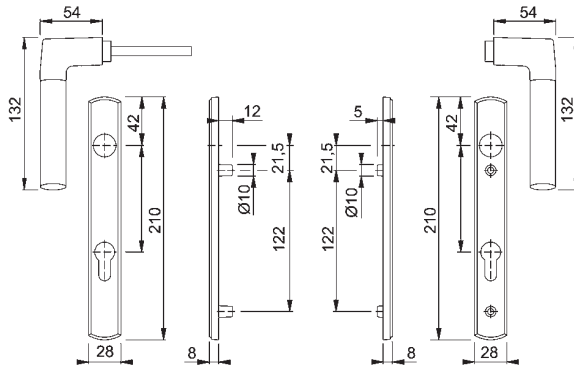
#### Lever furniture set to suit multipoint locks with 92mm cylinder centres

- HOPPE brass lever set on backplate for exterior doors, Bergen series. To suit multipoint locks with 92mm cylinder centres. Supplied separately, the levers are non handed for ease of stockholding and can be fixed to the door with the grub screws as supplied.



*\*available in  
**Resista**<sup>®</sup>  
10 years' surface  
guarantee*

ID NO	DESCRIPTION	FINISH
2155330	Lever Set Only	<b>Brass-coloured, polished Resista/ polished chrome/ F77-R/F49 *</b>
2451366	Lever Set Only	<b>Brass-coloured, polished/ satin - Resista/F77-R/F52-R *</b>
1957007	Lever Set Only	<b>Polished chrome/aluminium steel/F49/F9</b>
2155188	Backplate Set Only	<b>Brass -coloured polished - Resista/F77-R *</b>
1957779	Backplate Set Only	<b>Polished Chrome/F49 *</b>



# PVCu Door & Window Furniture

## Designer Door Handle Range



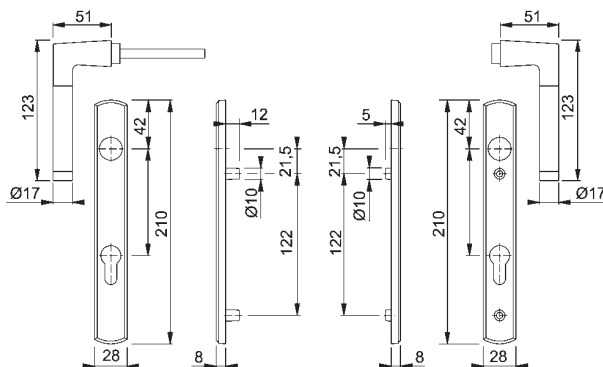
**\*available in  
Resista®  
10 years' surface  
guarantee**

### Capri M1950/200LM - Lever/Lever Set

#### Lever furniture set to suit multipoint locks with 92mm cylinder centres

- HOPPE brass lever set on backplate for exterior doors, Capri series. To suit multipoint locks with 92mm cylinder centres. Supplied separately, the levers are non handed for ease of stockholding and can be fixed to the door with the grub screws as supplied.

ID NO	DESCRIPTION	FINISH
2155701	Lever Set Only	<b>Brass-coloured, polished Resista/ polished chrome/ F77-R/F49 *</b>
1957040	Lever Set Only	<b>Polished chrome/stainless steel brushed/F49/F69</b>
2155188	Backplate Set Only	<b>Brass -coloured polished - Resista/F77-R *</b>
1957779	Backplate Set Only	<b>Polished Chrome/F49 *</b>



## HOPPE PVCu Door Furniture

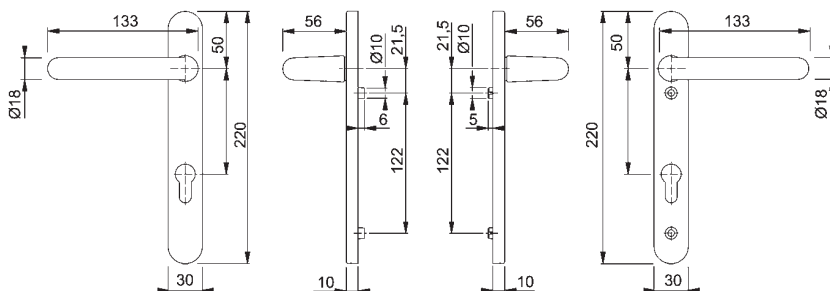
### Paris 138/3337 - Lever/Lever Set

#### Lever furniture set to suit multipoint locks with 92mm cylinder centres

- HOPPE aluminium extended lever on backplate for exterior doors, Paris series. To suit multipoint locks with 92mm cylinder centres. The unsprung levers are fixed to the backplate and by design are fully reversible. Fixing lugs are supplied on both backplates for a secure fit. Aluminium levers with stainless steel underconstruction and aluminium coverplate.
- The dimensions of this product satisfy the requirements of BS8300 and latest amendments to Doc "M".



ID NO	DESCRIPTION	FINISH
2479203	Lever furniture set	<b>Silver/F1</b>
2479238	Lever furniture set	<b>Gold/F3</b>
2479289	Lever furniture set	<b>White/F9016</b>
2479262	Lever furniture set	<b>Black/F9714</b>



# PVCu Door & Window Furniture

## HOPPE PVCu Door Furniture

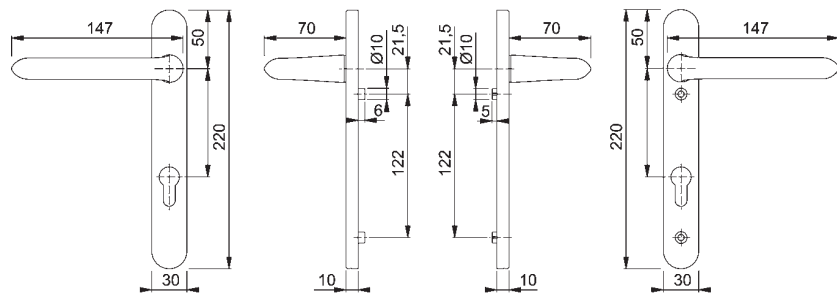


### Marseille 1138/3337 - Lever/Lever Set

#### Lever furniture set to suit multipoint locks with 92mm cylinder centres

- HOPPE aluminium extended lever on backplate for exterior doors, Marseille series. To suit multipoint locks with 92mm cylinder centres. The unsprung levers are fixed to the backplate and by design are fully reversible. Fixing lugs are supplied on both backplates for a secure fit. Aluminium levers with stainless steel underconstruction and aluminium coverplate.
- The dimensions of this product satisfy the requirements of BS8300 and latest amendments to Doc "M".

ID NO	DESCRIPTION	FINISH
2479625	Lever furniture set	<b>Silver/F1</b>
2479633	Lever furniture set	<b>Gold/F3</b>
2479650	Lever furniture set	<b>White/F9016</b>
2479641	Lever furniture set	<b>Black/F9714</b>



## HOPPE PVCu Window Furniture

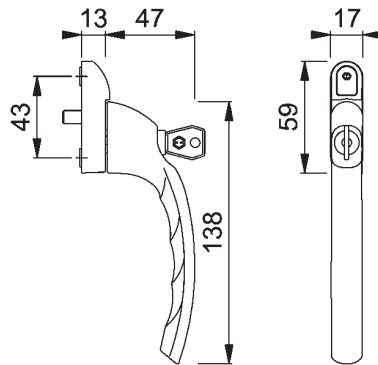
### Tokyo 0710ES/6 Inline Locking Espagnolette Handle

**HOPPE aluminium lockable window handle with 90° stop position, for espagnolette window locks**

- HOPPE aluminium lockable window handle with 90 degree stop position, for espagnolette window locks. Tokyo series. The inline lever is fixed to the backplate and by design is fully reversible. In operation the handle is opened by pushing the cylinder button. The handle locks automatically when closed, however for additional security the cylinder can also be deadlocked with the key. Fixing screws are concealed by covercap as supplied. Also available: Cylinder cover for non locking applications.
- Spindle sizes available: 10mm, 12mm, 16mm, 20mm, 25mm, 30mm, 40mm and 50mm (50mm to order)
- For ID numbers please contact the Sales Centre



ID NO	DESCRIPTION	FINISH
	Window Handle	<b>Silver/F1</b>
	Window Handle	<b>Gold/F3</b>
	Window Handle	<b>Polished Chrome/F49</b>
	Window Handle	<b>Polished Brass/F77</b>
	Window Handle	<b>White/F9016</b>
	Window Handle	<b>Black/F9714</b>



# PVCu Door & Window Furniture

## HOPPE PVCu Window Furniture

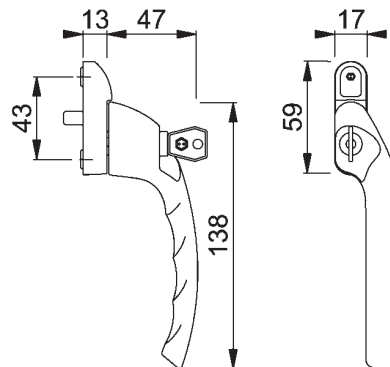


### Toyko 0710EVKS/6 Cranked Locking Espagnolette Handle

#### HOPPE aluminium lockable window handle with 90° stop position, for espagnolette window locks

- HOPPE aluminium lockable window handle with 90 degree stop position, for espagnolette window locks. Tokyo series. The cranked lever is fixed to the backplate and by design is handed. In operation the handle is opened by pushing the cylinder button. The handle locks automatically when closed, however for additional security the cylinder can also be deadlocked with the key. Fixing screws are concealed by covercap as supplied. Also available: Cylinder cover for non locking applications.
- Please specify left or right hand.
- Spindle sizes available: 10mm, 12mm, 16mm, 20mm, 25mm, 30mm, 40mm and 50mm (50mm to order)
- For ID numbers please contact the Sales Centre

ID NO	DESCRIPTION	FINISH
	Window Handle	<b>Silver/F1</b>
	Window Handle	<b>Gold/F3</b>
	Window Handle	<b>Polished Chrome/F49</b>
	Window Handle	<b>Polished Brass/F77</b>
	Window Handle	<b>White/F9016</b>
	Window Handle	<b>Black/F9714</b>



## HOPPE PVCu Window Furniture

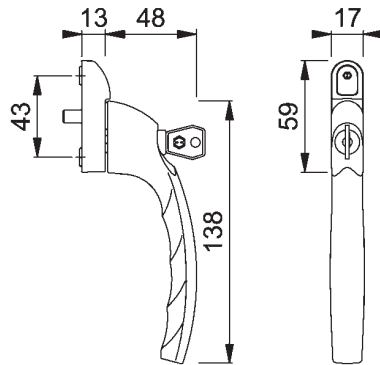
### Atlanta 0530ES/6 Inline Locking Espagnolette Handle

#### HOPPE aluminium lockable window handle with 90° stop position, for espagnolette window locks

- HOPPE aluminium lockable window handle with 90 degree stop position, for espagnolette window locks. Atlanta series. The inline lever is fixed to the backplate and by design is fully reversible. In operation the handle is opened by pushing the cylinder button. The handle locks automatically when closed, however for additional security the cylinder can also be deadlocked with the key. Fixing screws are concealed by covercap as supplied. Also available: Cylinder cover for non locking applications.
- Spindle sizes available: 10mm, 12mm, 16mm, 20mm, 25mm, 30mm, 40mm and 50mm (50mm to order)
- For ID numbers please contact the Sales Centre



ID NO	DESCRIPTION	FINISH
	Window Handle	<b>Silver/F1</b>
	Window Handle	<b>Gold/F3</b>
	Window Handle	<b>Polished Chrome/F49</b>
	Window Handle	<b>Polished Brass/F77</b>
	Window Handle	<b>White/F9016</b>
	Window Handle	<b>Black/F9714</b>



# PVCu Door & Window Furniture

## HOPPE PVCu Window Furniture

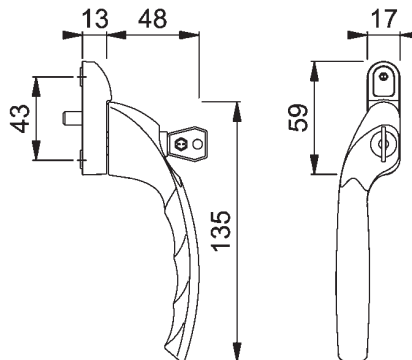


### Atlanta 0530EVKS/6 Cranked Locking Espagnolette Handle

#### HOPPE aluminium lockable window handle with 90° stop position, for espagnolette window locks

- HOPPE aluminium lockable window handle with 90 degree stop position, for espagnolette window locks. Atlanta series. The cranked lever is fixed to the backplate and by design is handed. In operation the handle is opened by pushing the cylinder button. The handle locks automatically when closed, however for additional security the cylinder can also be deadlocked with the key. Fixing screws are concealed by covercap as supplied. Also available: Cylinder cover for non locking applications.
- Please specify left or right hand.
- Spindle sizes available: 10mm, 12mm, 16mm, 20mm, 25mm, 30mm, 40mm and 50mm (50mm to order)
- For ID numbers please contact the Sales Centre

ID NO	DESCRIPTION	FINISH
	Window Handle	<b>Silver/F1</b>
	Window Handle	<b>Gold/F3</b>
	Window Handle	<b>Polished Chrome/F49</b>
	Window Handle	<b>Polished Brass/F77</b>
	Window Handle	<b>White/F9016</b>
	Window Handle	<b>Black/F9714</b>



## HOPPE PVCu Window Furniture

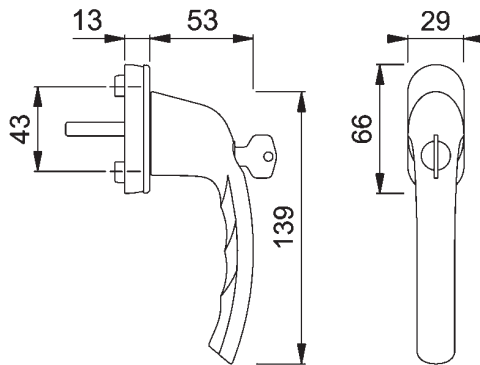
### Tokyo 0710S/U26 Locking Tilt Before Turn Handle

#### HOPPE aluminium locking TBT (Tilt-Before-Turn) window handle for tilt-and-turn windows

- HOPPE aluminium locking TBT (Tilt-Before-Turn) window handles for tilt-and-turn windows, Tokyo series. In operation the handle will engage in four positions at 90 degree intervals and when locked will always move freely to the tilt position, the turn position is always key controlled. If rotated 180 degrees prior to fitting the handle can be locked in the closed position, and operated as a tilt-and-turn handle. Also available with 38mm and 44mm spindle projection.



ID NO	DESCRIPTION	FINISH
1958641	Tilt Before Turn Window Handle	<b>Silver/F1</b>
1958659	Tilt Before Turn Window Handle	<b>Gold/F3</b>
2343040	Tilt Before Turn Window Handle	<b>Polished Chrome/F49</b>
2343058	Tilt Before Turn Window Handle	<b>Polished Brass/F77</b>
1958835	Tilt Before Turn Window Handle	<b>White/F9016</b>



# PVCu Door & Window Furniture

## HOPPE PVCu Window Furniture



### Atlanta 0530S/U26 Locking Tilt Before Turn Handle

#### HOPPE aluminium locking TBT (Tilt-Before-Turn) window handle for tilt-and-turn windows

- HOPPE aluminium locking TBT (Tilt-Before-Turn) window handles for tilt-and-turn windows, Atlanta series. In operation the handle will engage in four positions at 90 degree intervals and when locked will always move freely to the tilt position, the turn position is always key controlled. If rotated 180 degrees prior to fitting the handle can be locked in the closed position, and operated as a tilt-and-turn handle. Also available with 38mm and 44mm spindle projection to special order.

ID NO	DESCRIPTION	FINISH
2311224	Tilt Before Turn Window Handle	<b>Silver/F1</b>
2311697	Tilt Before Turn Window Handle	<b>Gold/F3</b>
2342987	Tilt Before Turn Window Handle	<b>Polished Chrome/F49</b>
2342995	Tilt Before Turn Window Handle	<b>Polished Brass/F77</b>
2311726	Tilt Before Turn Window Handle	<b>White/F9016</b>
2316666	Tilt Before Turn Window Handle	<b>Black/F9714</b>

