

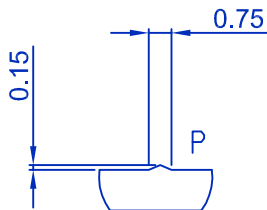
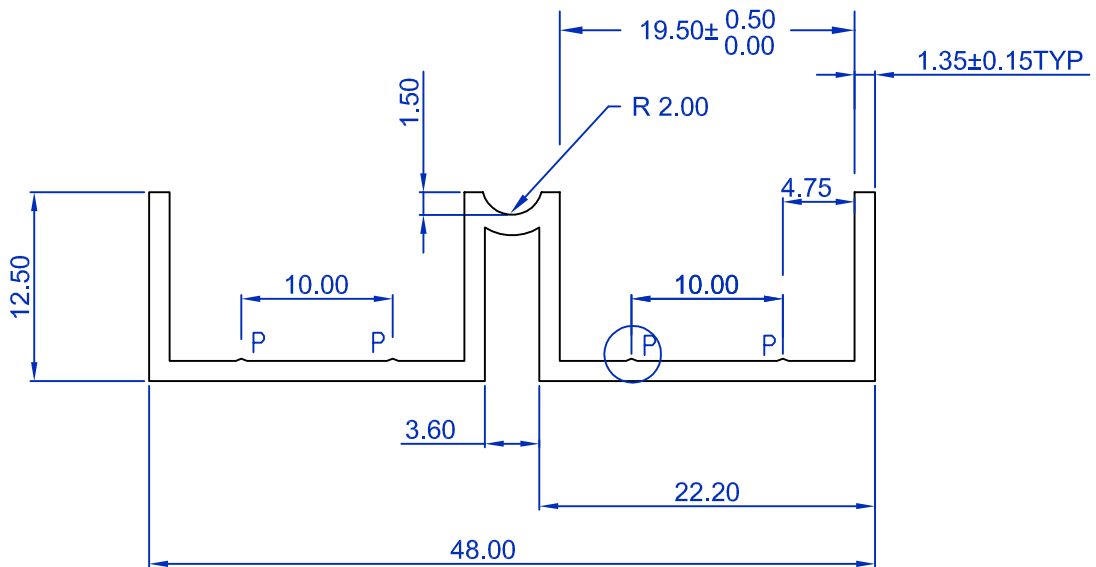
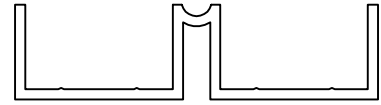
STORMGUARD GROUP

SF 009

Regency Mill, Chester Road, Macclesfield, Cheshire, SK11 8HR
Tel: 01625 613311 Fax: 01625 614434 email: reception@stormguard.co.uk

ANGLE PROJECTION

IF IN DOUBT ASK - DO NOT SCALE



SCALE :- As Shown

DIMENSIONS :- mm

REV	DESCRIPTION	BY	AUTH	ERCN	DATE	TOLERANCES :- SEE INSPECTION DRAWING	
1	INITIAL RELEASE	Ed	ET	897	17/10/2002	DRAWN BY :- Ed Banks	PRODUCT NAME :- CUPBOARD GEAR TOP (DEEP) TRACK
						DATE As Revision	MATERIAL :- Al Alloy 6063-T6
						AUTHORISED BY :- E Taylor	TYPE XD
						DATE As Revision	DRAWING NUMBER 0076

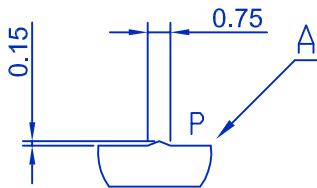
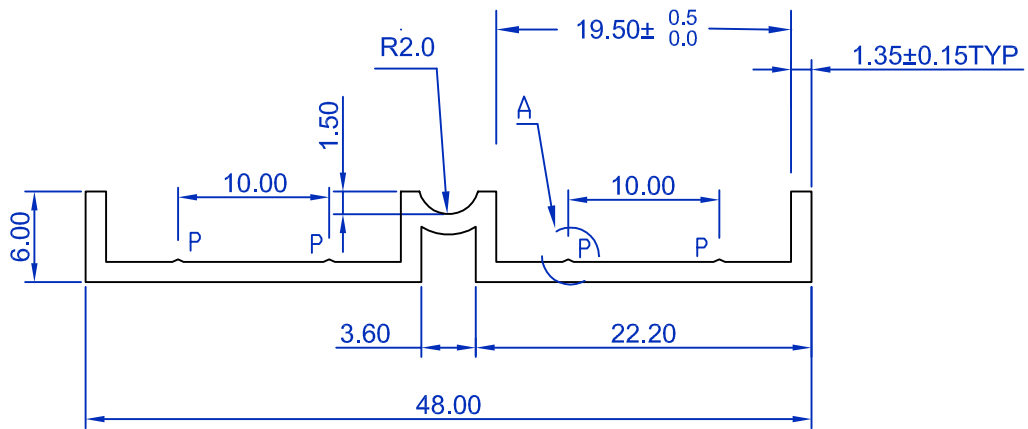
STORMGUARD GROUP

SF 009

Regency Mill, Chester Road, Macclesfield, Cheshire, SK11 8HR
Tel: 01625 613311 Fax: 01625 614434 email: reception@stormguard.co.uk

ANGLE PROJECTION

IF IN DOUBT ASK - DO NOT SCALE



SCALE :- 1:1 / 2:1 & 4:1

DIMENSIONS :- mm

REV	DESCRIPTION	BY	AUTH	ERCN	DATE	TOLERANCES :- SEE INSPECTION DRAWING	
1	INITIAL RELEASE	Ed	ET	898	17/10/2002	DRAWN BY :- Ed Banks	PRODUCT NAME :- CUPBOARD DOOR GEAR BOTTOM TRACK
						DATE <small>As Revision</small>	MATERIAL :- Al Alloy 6063-T6
						AUTHORISED BY :- E Taylor	TYPE XD
						DATE <small>As Revision</small>	DRAWING NUMBER 0078