

Locks & Cylinders



ARRONE[®] Architectural Plus & ARRONE[®]
Architectural Locks & Latches 403-428



ARRONE[®] Locks & Latches 429-432



Rim Nightlatches & Rim Locks 433-438



Cylinders 439-460



The ARRONE® range of architectural locks is manufactured to the highest engineering standards and designed to offer a high price/performance ratio. They have been successfully type tested to all the requirements of BS EN12209. The classification achieved is given for each lock separately.

ARRONE Plus® locks offer additional features and benefits.

BS EN12209 Building Hardware – mechanically operated locks, latches and locking plates.

1 Digit 1 – Category of use

Three categories of use are identified:

- grade 1: low frequency of use by people with a high incentive to exercise care and a small chance of misuse, e.g. internal residential doors
- grade 2: medium frequency of use by people with some incentive to exercise care but where there is some chance of misuse, e.g. internal office doors
- grade 3: high frequency of use by public or others with little incentive to exercise care and with a high chance of misuse, e.g. public doors

2 Digit 2 – Durability

Twelve grades are identified with minimum figures for deadbolt and snib operation, and latch bolt operation with and without side load, as shown. The side load is applied to the latch bolt when it is being withdrawn.

↑ No of operations	Increasing side load →				
	grade C	grade H	grade M	grade S	grade X
grade B	grade G	grade L	grade R	grade W	
grade A	grade F				

3 Digit 3 – Door mass and closing force

Nine grades are identified with maximum figures for closing force at various door masses as shown. Note: closing force is from a standing start: i.e. fully extended latch bolt in contact with striking plate at start of test.

Maximum closing force	Door mass		
	up to 100kg	up to 200kg	above 200kg
15N	grade 7	grade 8	grade 9
25N	grade 4	grade 5	grade 6
50N	grade 1	grade 2	grade 3

4 Digit 4 – Fire resistance

Two grades are identified: -

- grade 0: not approved for use on fire/smoke door assemblies
- grade 1: suitable for use on fire/smoke door assemblies tested to BS EN 1634-1 etc.

Note 1. A grade 1 classification means only that the lock has been designed for use on fire/smoke control doors; the actual fire performance achieved (e.g. fire integrity of 30 minutes on a partially glazed timber door etc.) will be contained in a separate fire test report.

Note 2. Where a product is intended for fire/smoke door use (i.e. a “1” in box 4), it must be possible to demonstrate compliance with the Essential Requirements of the Construction Products (Amendments) Regulations. It is recommended that the product should bear the CE mark (see section on CE marking).

5 Digit 5 – Safety

No requirement, but note: a lock or latch conforming to this standard can, at the same time, also be part of an exit device conforming to BS EN 179 or BS EN 1125.

6 Digit 6 – Corrosion resistance

Eight grades are identified with neutral salt-spray (NSS) corrosion resistance grades from BS EN 1670:1998, with and without temperature resistance as shown: -

Corrosion resistance (NSS)	Temperature resistance	
	No requirement	-20C to +80°C
240 hours	grade D	grade G
96 hours	grade C	grade F
48 hours	grade B	grade E
24 hours	grade A	
No requirement	grade 0	

7 Digit 7 – Security and drill resistance

Seven grades are identified with minimum figures for requirements relating to physical attack, with or without drilling of the lockcase, as shown: -

Increasing resistance to attack	No drilling requirement	Drilling requirement
		grade 6
	grade 4	grade 5
	grade 3	
	grade 2	
	grade 1	

8 Digit 8 – Field of door application

Fifteen grades are identified for differing applications – hinged or sliding doors with rim or mortice locks with either keyless egress from inside or key locking from both sides. The grading determines which application is appropriate. In addition, there is a requirement that lock/latch should not be removable from outside or, for grades K to R, from inside using “standard” tools. Grades H and P require support for the lockcase when installed.

9 Digit 9 – Type of key operation and locking

Nine grades are identified for differing types of key operation. The grading determines how the lock is assessed for deadlocking requirement as shown. In addition, there is a maximum key torque operating requirement of 1.5 Nm and a minimum key strength requirement of 2.5 Nm

- grade 0: Not applicable;
- grade A: cylinder lock or latch; manually locking;
- grade B: cylinder lock or latch; automatically locking;
- grade C: cylinder lock or latch; manually locking with intermediate locking;
- grade D: lever lock or latch; manually locking;
- grade E: lever lock or latch; automatically locking;
- grade F: lever lock or latch; manually locking with intermediate locking;
- grade G: lock or latch without key operation; manually locking;
- grade H: lock without key operation; automatically locking.

10

Digit 10 – Type of spindle operation

Five grades are identified:-

- grade 0: lock without follower
- grade 1: lock with sprung lever or knob
- grade 2: lock with light unsprung lever
- grade 3: lock with heavy unsprung lever
- grade 4: lock with manufacturer's own specification furniture

11

Digit 11 – Key identification

Nine grades are identified relating to the number of differs and levers. Grade 0 relates to a latch with no locking action: -

		No of levers →						
↑ No of differs								grade H
					grade F			grade G
				grade D			grade E	
			grade B			grade C		
		grade A						
	grade 0							

Note: This applies only to lever locks: cylinders are assessed to BS EN 1303:1998

BS EN179: 1998 + A1: 2001 Building Hardware – emergency exit hardware

BS EN179 is applicable only to the ARRONE Plus 72mm centre Escape Locks. For complete details of this standard refer to Emergency Exit Hardware Section.

Mortice Escape Locks should be tested to BS EN179: 1998 + A1: 2001 (Emergency Exit Hardware) and be CE marked accordingly. The door furniture which has also been successfully tested or assessed for use with the lock must also be identified to ensure compatibility.

BS EN1634 Part 1: 2000

Is the European Fire Safety Standard for determining the fire resistance of door and shutter assemblies including hardware designed for installations within openings incorporated in vertical separating elements (doorsets).

Locks can be assessed to be suitable on:-

- FD30 (30 minute) Fire Doors
- FD60 (60 minute) Fire Doors

Fire Doors – Locks

The UK Construction Products Regulations require locks for use on fire doors to be safe and durable.

British / European standard BS EN12209 is the recognised way of demonstrating compliance and requires that an official Notified Body proves both the product and the manufacturer's factory product controls are satisfactory before CE marking can be applied.

It is recommended that locks fitted to Fire Doors should be CE marked

CE Marking

CE marking is the easiest and safest route to providing compliance with the latest UK Construction Products Regulations for hardware used on fire, smoke and escape doors.

CE marking indicates that the product has been 3rd party performance/fire tested where applicable and is produced in a factory which has satisfactory production control systems. All of these have been assessed by an authorised certification organisation.

BS8300 & Approved Document "M" of the Building Regulations

These documents recommend that locks should have a minimum of a 55mm backset and that the centres should be a minimum of 72mm. Locks with keyways above the cylinder are also suitable.

Certifire

Certifire is an independent third party scheme providing high quality voluntary product conformity certification for the passive fire sector.



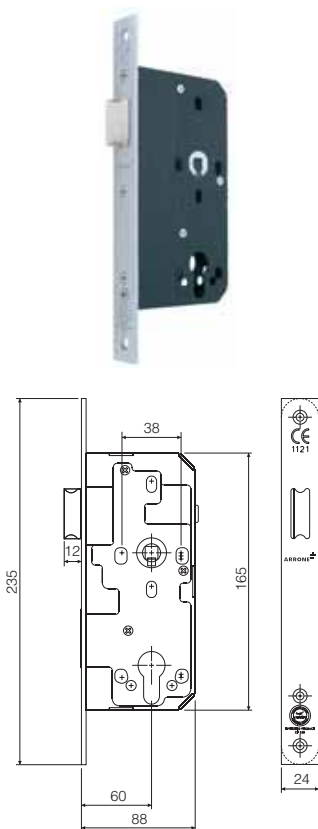


A close-up photograph of a wooden door edge. The door is light-colored wood with a vertical grain. A brass latch mechanism is mounted on the edge, featuring a rectangular latch bolt and a small rectangular keyhole. Below the latch, a brass handle is mounted on a circular base. The handle has a curved, ergonomic shape. The background is a blurred interior space with a table, chairs, and a vase of flowers.

ARRONE[®] Architectural Plus
& ARRONE[®] Architectural
Locks & Latches

ARRONE® Architectural Plus Locks & Latches

ARRONE® DIN Standard Architectural Mortice Lock Cases



Mortice Latch Cases

standards and certification



Quality & Performance: Successfully type tested to all the requirements of BS EN12209: 2003

3	M	8	1*	0	F	-	B	0	2	0
---	---	---	----	---	---	---	---	---	---	---



Manufactured In Europe by an ISO 9000 Registered Company



Fire Safety: Included in a successful fire test to BS EN1634 Part 1: 2000. For use on a 1 hour fire door



CE Marked: Certificate: 1121-CPD-AG0070



Certifire Approved Product: Certificate CF530



Conformity Statement: Meets the dimensional recommendations of BS8300 and Approved Document "M"

features

- Case – mild steel/black powder coated finish, pierced to accept bolt through furniture and escutcheons with 38mm centres
- Backset – 60mm (other sizes to order)
- Latchbolt – nickel plated solid brass guided latchbolt, easily reversible without opening case
- Follower – 8mm zinc alloy follower (high copper content for additional strength) with spindle gripping feature
- Forend and striking plates available square or radius
- Suitable for sprung and most unsprung lever furniture
- Satin/polished stainless steel or polished brass forend and striking plate
- 5 year guarantee

ID NO	PRODUCT REF	DESCRIPTION	FINISH
87107859	AR911-S-60-SSS	Mortice Latch (Square Forend)	SSS
87107860	AR911-S-60-PSS	Mortice Latch (Square Forend)	PSS
87107861	AR911-S-60-PB	Mortice Latch (Square Forend)	PB
87107862	AR911-R-60-SSS	Mortice Latch (Radiused Forend)	SSS
87107863	AR911-R-60-PSS	Mortice Latch (Radiused Forend)	PSS
87107864	AR911-R-60-PB	Mortice Latch (Radiused Forend)	PB
87107889	AR91-S-13-SSS	13mm Rebate Set for Square Forend Locks	SSS
87108045	AR91-S-13-PB	13mm Rebate Set for Square Forend Locks	PB

ARRONE[®] DIN Standard Architectural Mortice Lock Cases

Euro Profile Mortice Sashlock Cases

standards and certification



Quality & Performance: Successfully type tested to all the requirements of BS EN12209: 2003

3	M	8	1*	0	F	2	B	A	2	0
---	---	---	----	---	---	---	---	---	---	---



Manufactured In Europe by an ISO 9000 Registered Company



Fire Safety: Included in a successful fire test to BS EN1634 Part 1: 2000. For use on a 1 hour fire door



CE Marked: Certificate: 1121-CPD-AG0067



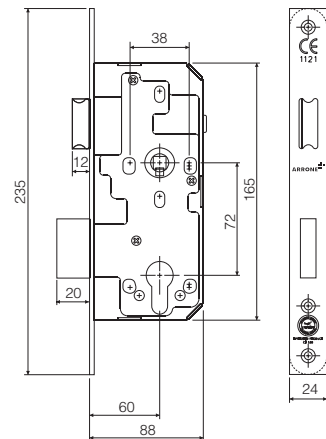
Certifire Approved Product: Certificate CF530



Conformity Statement: Meets the dimensional recommendations of BS8300 and Approved Document "M"

features

- Case – mild steel/black powder coated finish, pierced to accept bolt through furniture and escutcheons with 38mm centres
- Backset – 60mm (other sizes to order)
- Centres – 72mm
- Latchbolt – nickel plated solid brass guided latchbolt, easily reversible without opening case
- Follower – 8mm zinc alloy follower (high copper content for additional strength) with spindle gripping feature
- Deadbolt – zinc alloy single throw with 20mm projection (high copper content for additional strength)
- Forend and striking plates available square or radius
- Suitable for sprung and most unsprung lever furniture
- Satin/polished stainless steel or polished brass forend and striking plate
- 5 year guarantee

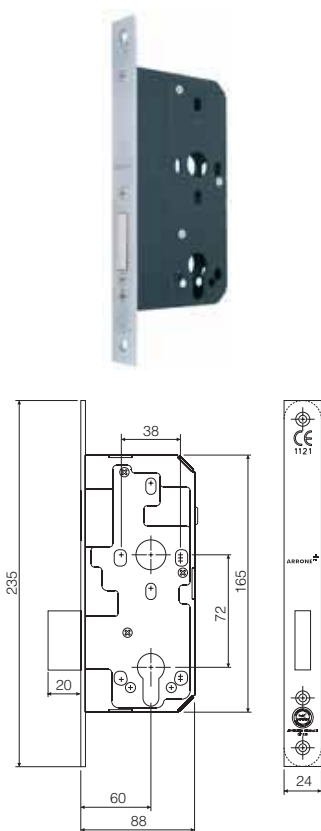


ID NO	PRODUCT REF	DESCRIPTION	FINISH
87107853	AR910-S-60-SSS	Mortice Sashlock Case (Square Forend)	SSS
87107854	AR910-S-60-PSS	Mortice Sashlock Case (Square Forend)	PSS
87107855	AR910-S-60-PB	Mortice Sashlock Case (Square Forend)	PB
87107856	AR910-R-60-SSS	Mortice Sashlock Case (Radiused Forend)	SSS
87107857	AR910-R-60-PSS	Mortice Sashlock Case (Radiused Forend)	PSS
87107858	AR910-R-60-PB	Mortice Sashlock Case (Radiused Forend)	PB
87107889	AR91-S-13-SSS	13mm Rebate Set for Square Forend Locks	SSS
87108045	AR91-S-13-PB	13mm Rebate Set for Square Forend Locks	PB

ARRONE® Architectural Plus Locks & Latches

ARRONE® DIN Standard Architectural Mortice Lock Cases

Euro Profile Mortice Deadlock Cases



standards and certification



Quality & Performance: Successfully type tested to all the requirements of BS EN12209: 2003

3	M	8	1*	0	F	2	B	A	0	0
---	---	---	----	---	---	---	---	---	---	---



Manufactured In Europe by an ISO 9000 Registered Company



Fire Safety: Included in a successful fire test to BS EN1634 Part 1: 2000. For use on a 1 hour fire door



CE Marked: Certificate: 1121-CPD-AG0068



Certifire Approved Product: Certificate CF530



Conformity Statement: Meets the dimensional recommendations of BS8300 and Approved Document "M"

features

- Case – mild steel/black powder coated finish, pierced to accept bolt through escutcheons with 38mm centres
- Backset – 60mm (other sizes to order)
- Deadbolt – zinc alloy single throw with 20mm projection (high copper content for additional strength)
- Forend and striking plates available square or radius.
- Satin/polished stainless steel or polished brass forend and striking plate
- 5 year guarantee

ID NO	PRODUCT REF	DESCRIPTION	FINISH
87107865	AR912-S-60-SSS	Mortice Deadlock Case (Square Forend)	SSS
87107866	AR912-S-60-PSS	Mortice Deadlock Case (Square Forend)	PSS
87107867	AR912-S-60-PB	Mortice Deadlock Case (Square Forend)	PB
87107868	AR912-R-60-SSS	Mortice Deadlock Case (Radiused Forend)	SSS
87107869	AR912-R-60-PSS	Mortice Deadlock Case (Radiused Forend)	PSS
87107870	AR912-R-60-PB	Mortice Deadlock Case (Radiused Forend)	PB
87107889	AR91-S-13-SSS	13mm Rebate Set for Square Forend Locks	SSS
87108045	AR91-S-13-PB	13mm Rebate Set for Square Forend Locks	PB

ARRONE[®] DIN Standard Architectural Mortice Lock Cases

Mortice Bathroom Locks

standards and certification



Quality & Performance: Successfully type tested to all the requirements of BS EN12209: 2003

3	M	8	1*	0	F	-	B	0	2	0
---	---	---	----	---	---	---	---	---	---	---



Manufactured In Europe by an ISO 9000 Registered Company



Fire Safety: Included in a successful fire test to BS EN1634 Part 1: 2000. For use on a 1 hour fire door



CE Marked: Certificate: 1121-CPD-AG0069



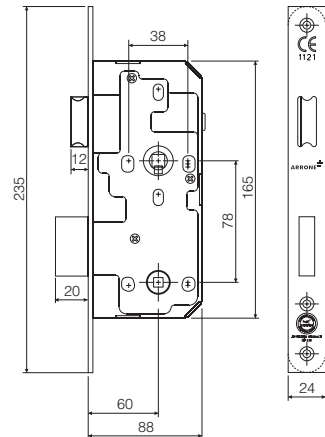
Certifire Approved Product: Certificate CF530



Conformity Statement: Meets the dimensional recommendations of BS8300 and Approved Document "M"

features

- Case – mild steel/black powder coated finish, pierced to accept bolt through furniture and escutcheons with 38mm centres.
- Backset – 60mm (other sizes to order)
- Centres – 78mm
- Latchbolt – nickel plated solid brass guided latchbolt, easily reversible without opening case
- Follower – 8mm zinc alloy follower (high copper content for additional strength) with spindle gripping feature
- Also supplied with 5mm spindle sleeve for 5mm turn spindles
- Deadbolt – zinc alloy single throw with 20mm projection (high copper content for additional strength)
- Forend and striking plates available square or radius
- Suitable for sprung and most unsprung lever furniture
- Satin/polished stainless steel or polished brass forend and striking plate
- 5 year guarantee

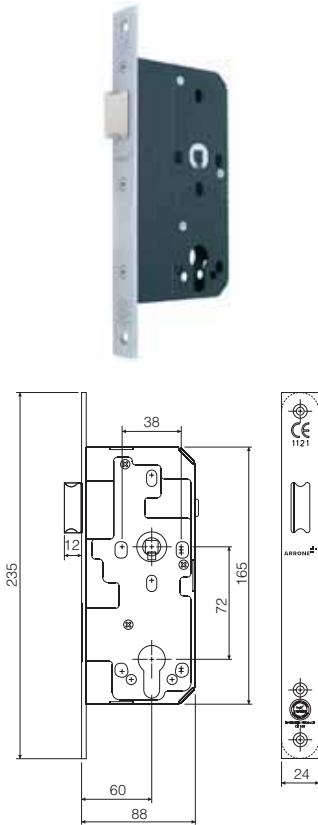


ID NO	PRODUCT REF	DESCRIPTION	FINISH
87107871	AR913-S-60-SSS	Mortice Bathroom Lock (Square Forend)	SSS
87107872	AR913-S-60-PSS	Mortice Bathroom Lock (Square Forend)	PSS
87107873	AR913-S-60-PB	Mortice Bathroom Lock (Square Forend)	PB
87107874	AR913-R-60-SSS	Mortice Bathroom Lock (Radiused Forend)	SSS
87107875	AR913-R-60-PSS	Mortice Bathroom Lock (Radiused Forend)	PSS
87107876	AR913-R-60-PB	Mortice Bathroom Lock (Radiused Forend)	PB

ARRONE® Architectural Plus Locks & Latches

ARRONE® DIN Standard Architectural Mortice Lock Cases

Euro Profile Mortice Nightlatch Cases



standards and certification



Quality & Performance: Successfully type tested to all the requirements of BS EN12209: 2003

3	M	8	1*	0	F	-	B	0	2	0
---	---	---	----	---	---	---	---	---	---	---



Manufactured In Europe by an ISO 9000 Registered Company



Fire Safety: Included in a successful fire test to BS EN1634 Part 1: 2000. For use on a 1 hour fire door



CE Marked: Certificate: 1121-CPD-AG0071



Certifire Approved Product: Certificate CF530



Conformity Statement: Meets the dimensional recommendations of BS8300 and Approved Document "M"

features

- Case – mild steel/black powder coated finish, pierced to accept bolt through furniture and escutcheons with 38mm centres
- Backset – 60mm (other sizes to order)
- Centres – 72mm
- Latchbolt – nickel plated solid brass guided latchbolt, easily reversible without opening case
- Latchbolt withdrawn by lever handle or key
- Follower – 8mm zinc alloy follower (high copper content for additional strength) with spindle gripping feature
- Forend and striking plates available square or radius
- Suitable for sprung and most unsprung lever furniture
- Satin/polished stainless steel or polished brass forend and striking plate
- 5 year guarantee

ID NO	PRODUCT REF	DESCRIPTION	FINISH
87107877	AR914-S-60-SSS	Mortice Nightlatch Case (Square Forend)	SSS
87107878	AR914-S-60-PSS	Mortice Nightlatch Case (Square Forend)	PSS
87107879	AR914-S-60-PB	Mortice Nightlatch Case (Square Forend)	PB
87107880	AR914-R-60-SSS	Mortice Nightlatch Case (Radiused Forend)	SSS
87107881	AR914-R-60-PSS	Mortice Nightlatch Case (Radiused Forend)	PSS
87107882	AR914-R-60-PB	Mortice Nightlatch Case (Radiused Forend)	PB
87107889	AR91-S-13-SSS	13mm Rebate Set for Square Forend Locks	SSS
87108045	AR91-S-13-PB	13mm Rebate Set for Square Forend Locks	PB

ARRONE® DIN Standard Architectural Mortice Lock Cases

Euro Profile Mortice Escape Lock

standards and certification



Quality & Performance: Successfully type tested to all the requirements of BS EN179 : 1998 + A1 : 2001

3	7	6	1*	1	4	3	2	A
---	---	---	----	---	---	---	---	---

To satisfy BS EN179 this Escape Lock should only be fitted with the lever handles listed on this page to ensure compatibility with this standard



Manufactured in Europe by an ISO 9000 Registered Company



Fire Safety: Included in a successful fire test to BS EN1634 Part 1: 2000. Assessed for use on 1 hour fire doors



CE Marked: Declaration of conformity available on request



Certifire Approved Product: Certificate CF530



Conformity Statement: Meets the dimensional recommendations of BS8300 and Approved Document "M"

application

- Suitable for wooden doors hinged on either the right or left which require key operation externally with a single action escape function internally.

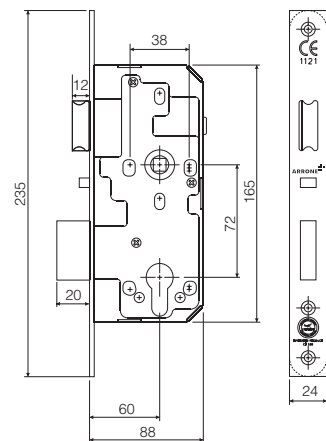
features

- Case – mild steel/black powder coated finish, pierced to accept bolt through furniture and escutcheons with 38mm centres
- Backset – 60mm
- Centres – 72mm
- Latchbolt – nickel plated solid brass guided latchbolt, easily reversible without opening case
- Follower – 8mm split follower with self locating plate to allow easy reversibility of the escape function. Follower made from sintered steel for additional strength and durability
- Deadbolt – zinc alloy single throw with 20mm projection (high copper content for additional strength)
- Forend and bevelled striking plates (for smooth operation) available square or radius
- Satin/polished stainless steel or polished brass forend and striking plate
- Supplied with AR228A - 100mm and AR228B - 120mm split spindles for 30mins and 1 hour fire doors
- 5 year guarantee

operation

- Anti-thrust feature means latchbolt is automatically deadlocked when door is closed, preventing card leverage
- Latch withdrawn by lever or key from outside
- Deadbolt and latchbolt withdrawn simultaneously by internal lever handle
- Latchbolt withdrawn by internal lever handle
- Deadbolt withdrawn by cylinder key from outside
- Escape mechanism easily reversed by moving self locating follower plate (no screws to be removed)

ID NO	PRODUCT REF	DESCRIPTION	FINISH
87107883	AR915-S-60-SSS	Mortice Escape lock (Square Forend)	SSS
87107884	AR915-S-60-PSS	Mortice Escape lock (Square Forend)	PSS
87107885	AR915-S-60-PB	Mortice Escape lock (Square Forend)	PB
87107886	AR915-R-60-SSS	Mortice Escape lock (RADIUS Forend)	SSS
87107887	AR915-R-60-PSS	Mortice Escape lock (RADIUS Forend)	PSS
87107888	AR915-R-60-PB	Mortice Escape lock (RADIUS Forend)	PB
87109436	AR915-13-SSS	13mm Rebate Set	SSS
87109437	AR915-13-PB	13mm Rebate Set	PB



HOPPE and ARRONE® Door Furniture suitable for use with ARRONE® Plus AR915 Series 72mm Escape Lock

HOPPE Aluminium (F1, F3)

138S Series (Paris) - 19 and 22mm Sprung and Unsprung

HOPPE Nylon (All colours)

K138 Series (Paris) - Solid Nylon and Steel Cored Sprung and Unsprung

HOPPE Stainless Steel (Satin and Polished)

E138F and E138Z Series (Paris) - Steel understructure and Nylon Understructure

ARRONE® Stainless Steel (Satin and Polished)

AR361 Series (Return to Door) - 6mm and 8mm Rose Sprung and Unsprung
AR370 Series (Semi Circular) - Unsprung
AR374 Series (Cranked Return to Door) - Unsprung
AR375 Series (Shaped Return to Door) - Unsprung

ARRONE® Stainless Steel (PVD/Brass)

AR461 Series (Return to Door) - Sprung

All of these products have been either tested with or assessed for use with the AR915 ARRONE® Plus Escape Lock and are listed in test reports/evidence.

ARRONE® DIN Standard Architectural Mortice Lock Cases

Euro Profile Mortice Latch Cases

standards and certification



Quality & Performance: Successfully type tested to all the requirements of BS EN12209: 2003

3	H	8	1*	0	F	-	B	0	2	0
---	---	---	----	---	---	---	---	---	---	---



Fire Safety: Assessed to BS EN1634 Part 1: 2000. Suitable for use on a 1 hour fire door



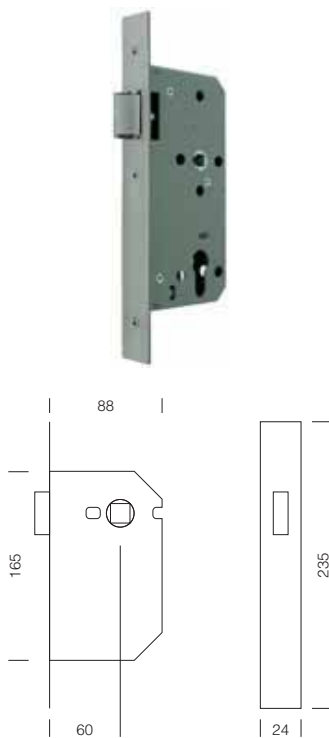
CE Marked: Declaration of conformity available on request



Conformity Statement: Meets the dimensional recommendations of BS8300 and Approved Document "M"

features

- 60mm backset
- Stainless Steel guided latchbolt easily reversible without opening case
- Suitable for sprung and most unsprung lever furniture
- 8mm follower with spindle gripping feature
- Forend & striking plates available square or radius
- Pierced to accept bolt through furniture and escutcheons at 38mm centres
- Satin/polished stainless steel or PVD brass finish forends and striking plates



ID NO	PRODUCT REF	DESCRIPTION	FINISH
87109074	AR811-S-60-SSS	Mortice Latch (Square Forend)	SSS
87109075	AR811-S-60-PVD	Mortice Latch (Square Forend)	PVD/Brass
87109076	AR811-S-60-PSS	Mortice Latch (Square Forend)	PSS
87109077	AR811-R-60-SSS	Mortice Latch (Radiused Forend)	SSS
87109078	AR811-R-60-PVD	Mortice Latch (Radiused Forend)	PVD/Brass
87109079	AR811-R-60-PSS	Mortice Latch (Radiused Forend)	PSS
	AR81-S-13-SSS	13mm Rebate Set for Square Forend Locks	SSS
	AR81-S-13-PVD	13mm Rebate Set for Square Forend Locks	PVD/Brass
	AR81-S-13-PSS	13mm Rebate Set for Square Forend Locks	PSS

ARRONE® DIN Standard Architectural Mortice Lock Cases

Euro Profile Mortice Sashlock Cases

standards and certification



Quality & Performance: Successfully type tested to all the requirements of BS EN12209: 2003

3	H	8	1*	0	F	2	B	A	2	0
---	---	---	----	---	---	---	---	---	---	---



Fire Safety: Assessed to BS EN1634 Part 1: 2000. Suitable for use on a 1 hour fire door



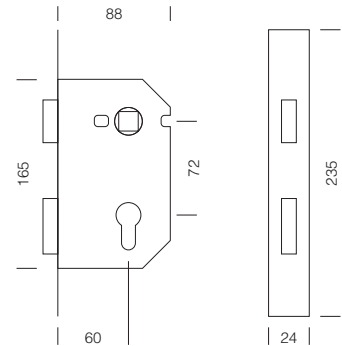
CE Marked: Declaration of conformity available on request



Conformity Statement: Meets the dimensional recommendations of BS8300 and Approved Document "M"

features

- 60mm backset, 72mm centres
- Stainless Steel deadbolt, double throw (20mm projection)
- Stainless Steel guided latchbolt easily reversible without opening case
- Suitable for sprung and most unsprung lever furniture
- 8mm follower with spindle gripping feature
- Forend & striking plates available square or radius
- Pierced to accept bolt through furniture and escutcheons at 38mm centres
- Satin/polished stainless steel or PVD brass finish forends and striking plates



ID NO	PRODUCT REF	DESCRIPTION	FINISH
87109068	AR810-S-60-SSS	Mortice Sashlock Case (Square Forend)	SSS
87109069	AR810-S-60-PVD	Mortice Sashlock Case (Square Forend)	PVD/Brass
87109070	AR810-S-60-PSS	Mortice Sashlock Case (Square Forend)	PSS
87109071	AR810-R-60-SSS	Mortice Sashlock Case (Radiused Forend)	SSS
87109072	AR810-R-60-PVD	Mortice Sashlock Case (Radiused Forend)	PVD/Brass
87109073	AR810-R-60-PSS	Mortice Sashlock Case (Radiused Forend)	PSS
	AR81-S-13-SSS	13mm Rebate Set for Square Forend Locks	SSS
	AR81-S-13-PVD	13mm Rebate Set for Square Forend Locks	PVD/Brass
	AR81-S-13-PSS	13mm Rebate Set for Square Forend Locks	PSS

ARRONE® DIN Standard Architectural Mortice Lock Cases

Euro Profile Mortice Deadlock Cases

standards and certification



Quality & Performance: Successfully type tested to all the requirements of BS EN12209: 2003

3	H	8	1*	0	F	2	B	A	0	0
---	---	---	----	---	---	---	---	---	---	---



Fire Safety: Assessed to BS EN1634 Part 1: 2000. Suitable for use on a 1 hour fire door



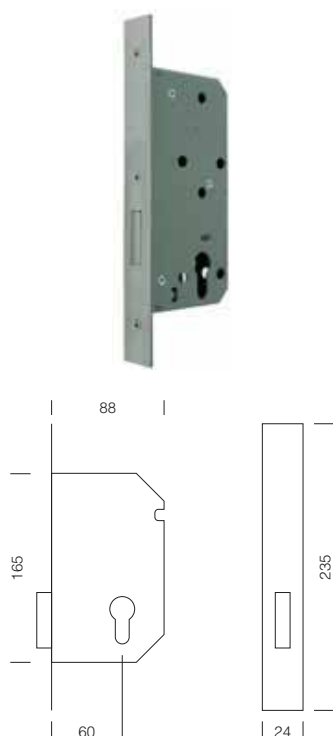
CE Marked: Declaration of conformity available on request



Conformity Statement: Meets the dimensional recommendations of BS8300 and Approved Document "M"

features

- 60mm backset
- Stainless Steel deadbolt, double throw (20mm projection)
- Forend & striking plates available square or radius
- Pierced to accept bolt through furniture and escutcheons at 38mm centres
- Satin/polished stainless steel or PVD brass finish forends and striking plates



ID NO	PRODUCT REF	DESCRIPTION	FINISH
87109080	AR812-S-60-SSS	Mortice Deadlock Case (Square Forend)	SSS
87109081	AR812-S-60-PVD	Mortice Deadlock Case (Square Forend)	PVD/Brass
87109082	AR812-S-60-PSS	Mortice Deadlock Case (Square Forend)	PSS
87109083	AR812-R-60-SSS	Mortice Deadlock Case (RADIUS Forend)	SSS
87109084	AR812-R-60-PVD	Mortice Deadlock Case (RADIUS Forend)	PVD/Brass
87109085	AR812-R-60-PSS	Mortice Deadlock Case (RADIUS Forend)	PSS
	AR81-S-13-SSS	13mm Rebate Set for Square Forend Locks	SSS
	AR81-S-13-PVD	13mm Rebate Set for Square Forend Locks	PVD/Brass
	AR81-S-13-PSS	13mm Rebate Set for Square Forend Locks	PSS

ARRONE[®] DIN Standard Architectural Mortice Lock Cases

Mortice Bathroom Locks

standards and certification



Quality & Performance: Successfully type tested to all the requirements of BS EN12209: 2003

3	H	8	1*	0	F	-	B	0	2	0
---	---	---	----	---	---	---	---	---	---	---



Fire Safety: Assessed to BS EN1634 Part 1: 2000. Suitable for use on a 1 hour fire door



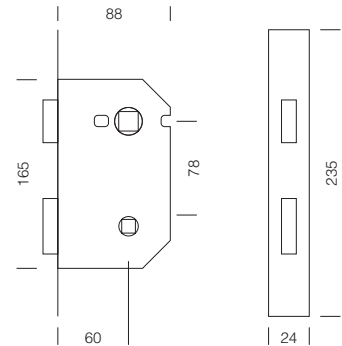
CE Marked: Declaration of conformity available on request



Conformity Statement: Meets the dimensional recommendations of BS8300 and Approved Document "M"

features

- 60mm backset, 78mm centres
- Stainless Steel deadbolt, double throw (20mm projection)
- Stainless Steel guided latchbolt easily reversible without opening case
- Suitable for sprung and most unsprung lever furniture
- 8mm follower with spindle gripping feature
- 8mm turn follower supplied with a 5mm sleeve (suitable for 8mm & 5mm turns)
- Forend & striking plates available square or radius
- Pierced to accept bolt through furniture and escutcheons at 38mm centres
- Satin/polished stainless steel or PVD brass finish forends and striking plates



ID NO	PRODUCT REF	DESCRIPTION	FINISH
87109086	AR813-S-60-SSS	Mortice Bathroom Lock (Square Forend)	SSS
87109087	AR813-S-60-PVD	Mortice Bathroom Lock (Square Forend)	PVD/Brass
87109088	AR813-S-60-PSS	Mortice Bathroom Lock (Square Forend)	PSS
87109089	AR813-R-60-SSS	Mortice Bathroom Lock (Radiused Forend)	SSS
87109090	AR813-R-60-PVD	Mortice Bathroom Lock (Radiused Forend)	PVD/Brass
87109091	AR813-R-60-PSS	Mortice Bathroom Lock (Radiused Forend)	PSS