



Access Hardware Ltd
Architectural Stainless Steel
———— *D Series* ————



Stylishly Simple

PRODUCT | RANGE

Introduction

Access Hardware's fusion of luxury and design continues with the D Series. This exciting new range offers dual finish lever handles at affordable and competitive prices.

Material

All products in this range are manufactured from a mixture of grade 304 stainless steel and chrome plated zinc alloy. This is suitable for most applications.

Marine grade 316 stainless steel having better corrosion resistance is recommended for polluted, coastal or chloride environments such as swimming pools.

Finish

DZ – Duo Zinc

(Mixed polished zinc and brushed stainless steel).

Guarantee

Access Hardware guarantees the products in this catalogue against defects in workmanship and materials subject to fair wear and tear in standard atmospheric conditions for a period of 10 years.

Access Hardware assumes no liability for:

- Improper installation or failure to follow fitting instructions.
- Improper maintenance or unfair wear and tear.
- Indirect or consequential loss or damage.
- Cost of removal and/or replacement.
- Cost of freight and/or travelling expenses.
- Although our stainless steel products are suitable for most applications, neither grade 304 or 316 is unconditionally guaranteed and advice should be sought from one of our representatives.

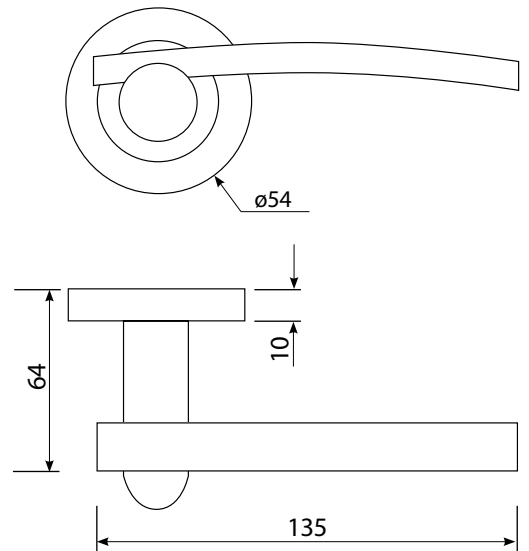
Care and Maintenance

To retain the highest corrosion resistance it is necessary to keep the surface of stainless steel and chrome plated zinc clean. This can be done by wiping with a clean cloth using either a mild detergent or soap, then rinsing with warm clean water and drying with a towel. Carbon steel brushes or wire wool should not be used. Comprehensive instructions are available upon request.

Change of Product Specifications

As a result of continuous improvements to our products, we reserve the right to alter standard product specifications and dimensions without prior notice.





D40

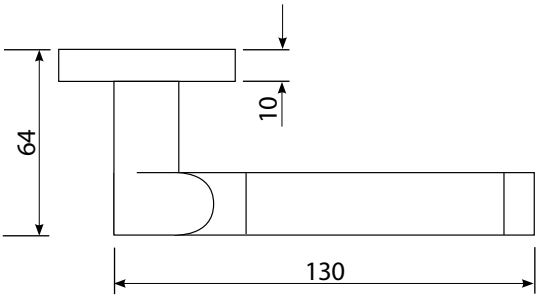
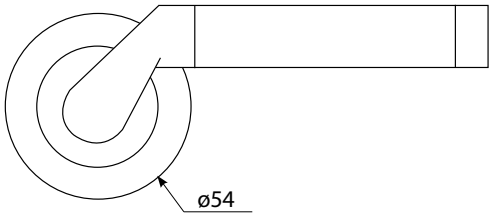
Curved designer lever on 10mm sprung covered rose

Fully removable rose for ease of fitting

Bolt through fixings and wood screws supplied

Finish: DZ

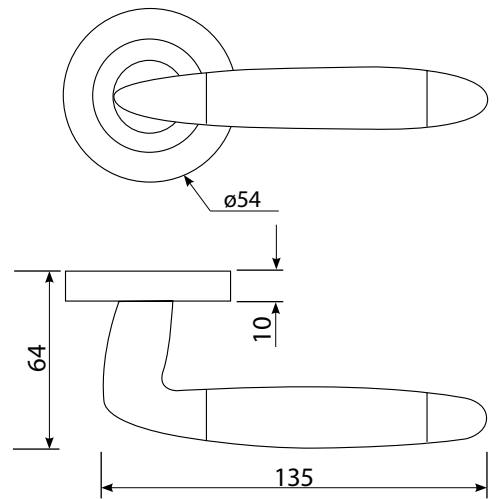
Levers



D41

Designer Lever on 10mm sprung covered rose
Fully removable rose for ease of fitting
Bolt through fixings and wood screws supplied

Finish: DZ



D42

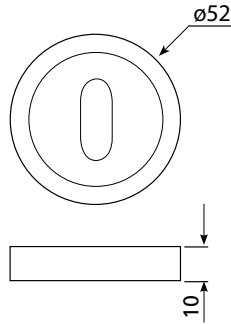
Designer Lever on 10mm sprung covered rose

Fully removable rose for ease of fitting

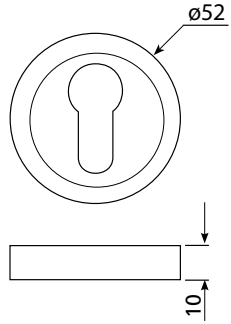
Bolt through fixings and wood screws supplied

Finish: DZ

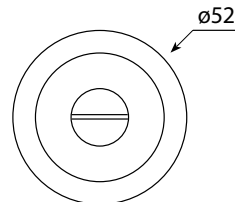
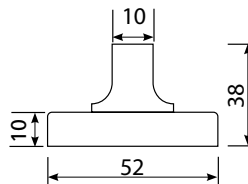
Escutcheons



D8310
 10mm Standard keyhole escutcheon
 Concealed fix
 Wood screws supplied
Finish: DZ



D8510
 10mm Euro profile escutcheon
 Concealed fix
 Wood screws supplied
Finish: DZ



D9010
 10mm Bathroom Snib and
 release without indicator
 Concealed fix
 Wood screws supplied
Finish: DZ

Thumb Turns

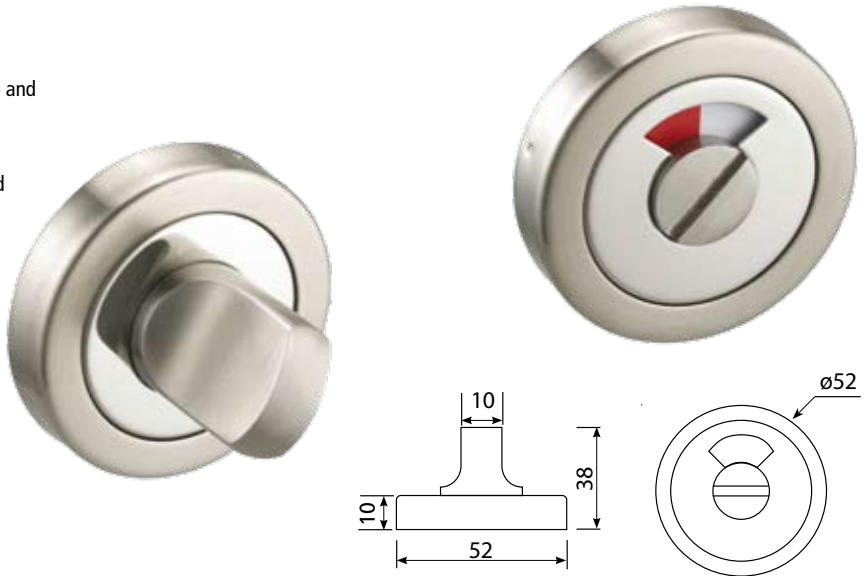
D9610

10mm Bathroom Snib and release indicator

Concealed fix

Wood screws supplied

Finish: DZ



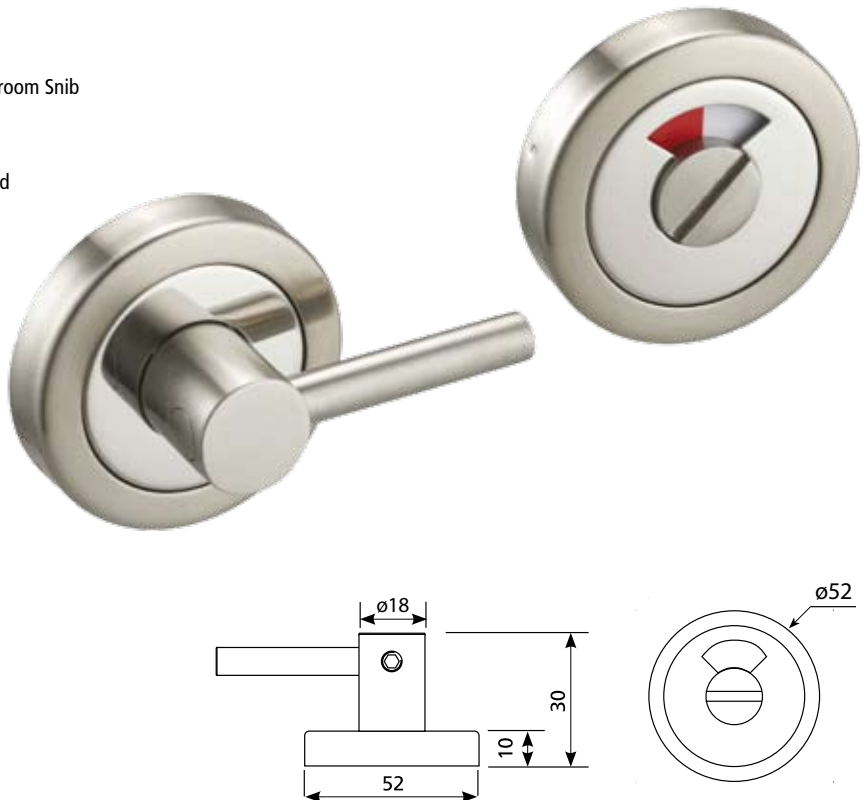
D9710

10mm Disabled bathroom Snib and release indicator

Concealed fix

Wood screws supplied

Finish: DZ



Stylishly Simple



Access Hardware Ltd

Green Lane | Studley | Warwickshire | B80 7EY

Tel: 01527 852 948 | Fax: 01527 854 192

Email: sales@accesshardware.co.uk
www.accesshardware.co.uk

Contact Distributor